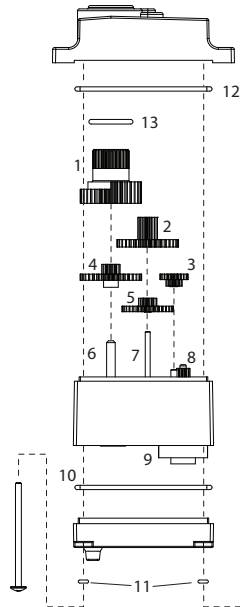




Micro Servo Gear Set Installation

Covers Parts #2062, 2064

2062/2064 Gear Installation

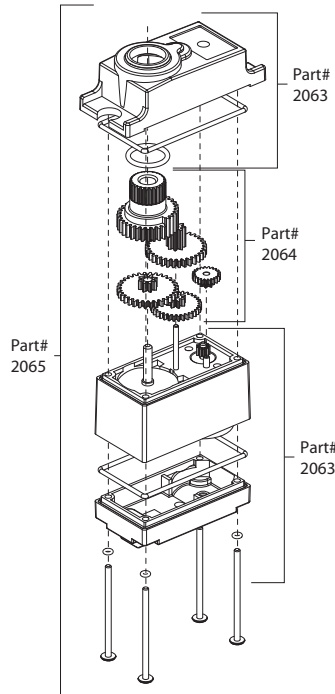


- #Description
 1Output gear
 2Top reduction gear
 3Offset pinion reduction gear
 4Center reduction gear
 5Bottom reduction gear
 6Output shaft
 7Gear shaft
 8Pinion gear
 9Motor
 10Lower gasket
 11Case screw O-ring
 12Upper gasket
 13Output shaft O-ring

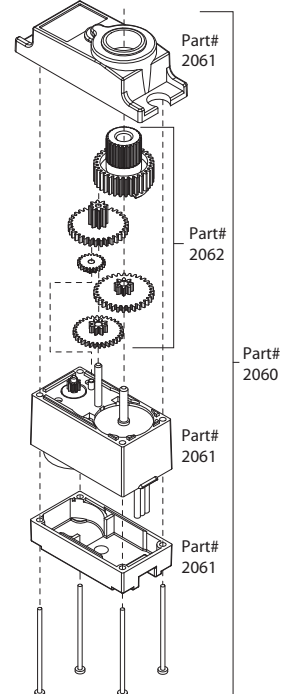
2064 gear set installation into 2065 servo shown. 2060 servo assembly is similar, but does not use gaskets or O-rings.

For questions or technical assistance, call:
1-888-TRAXXAS
 (1-888-872-9927) (U.S. residents only)

2065 Servo



2060 Servo



www.TRAXXAS.COM

KC1106 Form MICSRVOGRINST Rev 071017

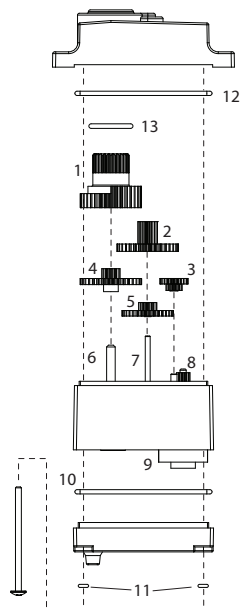
Traxxas, 1100 Klein Road, Plano, TX 75074, Phone: 972-265-8000, Fax: 972-265-8011, e-mail: support@Traxxas.com



Micro Servo Gear Set Installation

Covers Parts #2062, 2064

2062/2064 Gear Installation

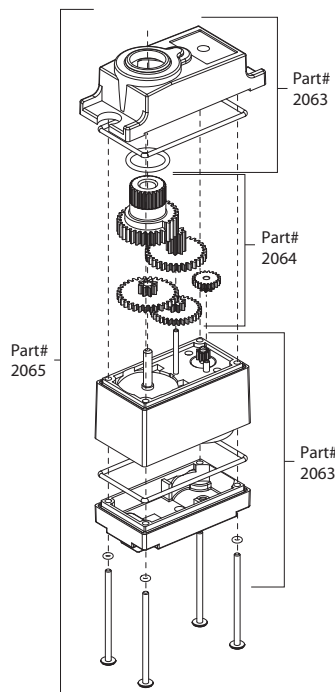


- #Description
 1Output gear
 2Top reduction gear
 3Offset pinion reduction gear
 4Center reduction gear
 5Bottom reduction gear
 6Output shaft
 7Gear shaft
 8Pinion gear
 9Motor
 10Lower gasket
 11Case screw O-ring
 12Upper gasket
 13Output shaft O-ring

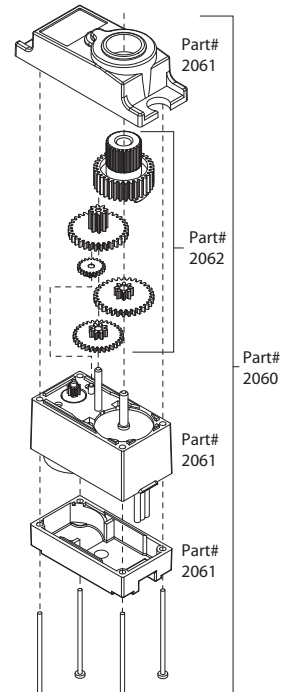
2064 gear set installation into 2065 servo shown. 2060 servo assembly is similar, but does not use gaskets or O-rings.

For questions or technical assistance, call:
1-888-TRAXXAS
 (1-888-872-9927) (U.S. residents only)

2065 Servo



2060 Servo



www.TRAXXAS.COM

KC1106 Form MICSRVOGRINST Rev 071017

Traxxas, 1100 Klein Road, Plano, TX 75074, Phone: 972-265-8000, Fax: 972-265-8011, e-mail: support@Traxxas.com