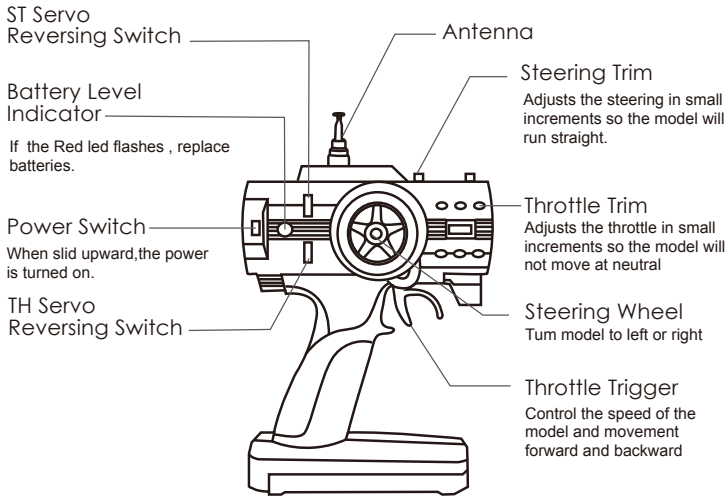
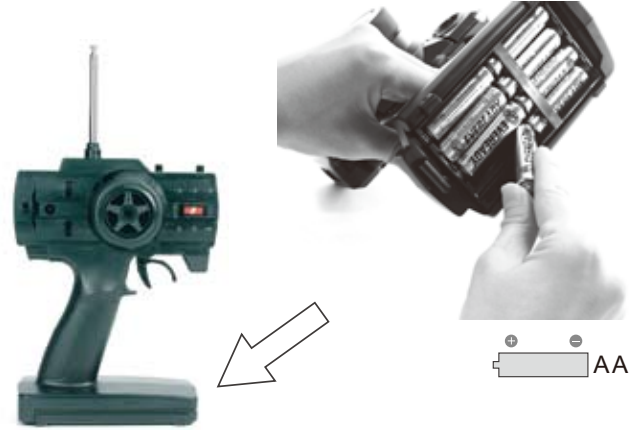


1 Transmitter Function

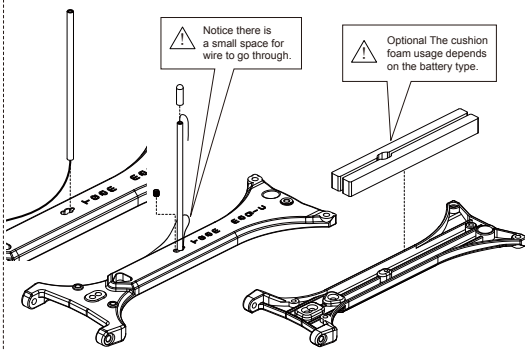


2 Operating Procedure

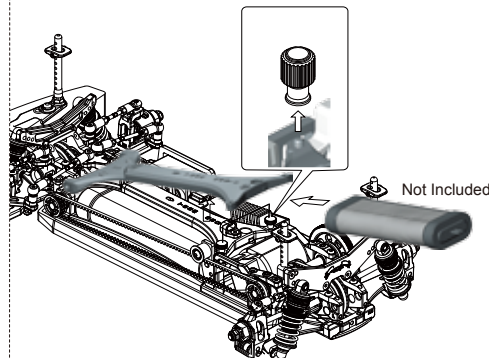
01 Install 8pcs AA batteries to the H.A.R.D. transmitter.



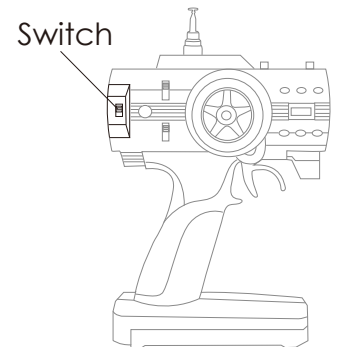
02 Insert the antenna wire into the tube as shown. Fasten the tube with a set screw and put on the tube cap.



03 Thumb nuts are used to fasten the battery holder. Use appropriate charger to charge the included receiver battery pack.



04 Turn on the transmitter first.

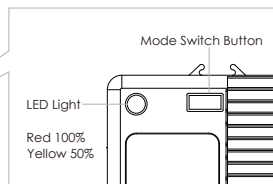
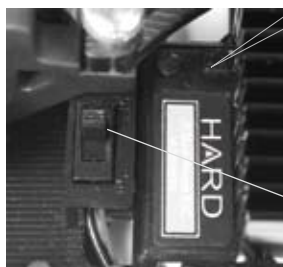
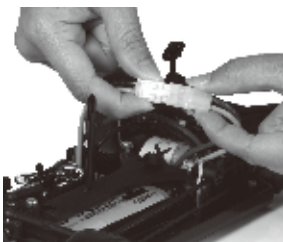


05 Connect the battery pack to the speed controller. Finally, switch on the speed controller power.

H.A.R.D. Dual Mode Speed Controller is the most advanced speed controller at the market. There are two modes available: Gentle & Fierce.

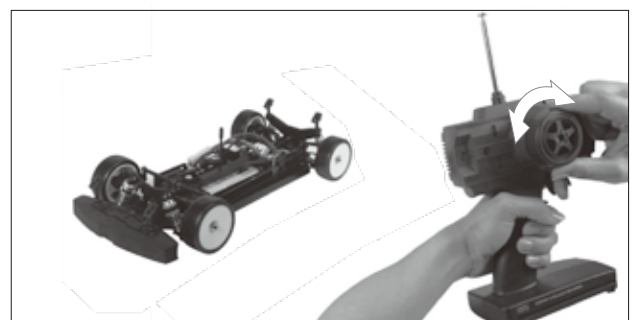
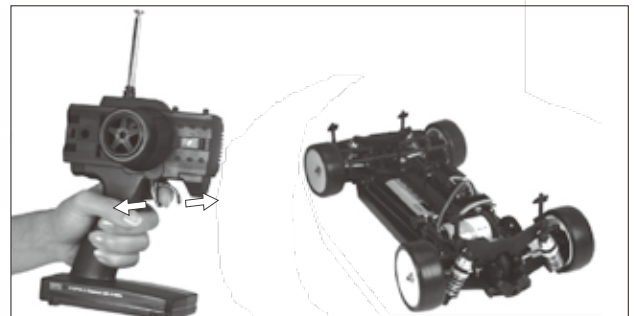
- Gentle Mode: Yellow Indication Light (50% output)
- Fierce Mode: Red Indication Light (100% output)

After switch on, the speed controller will auto-reset the throttle neutral position within 5 seconds with beep sound. Push the button for 3 seconds on the speed controller to switch the mode.



Switch

06 Rotate the transmitter wheel for left and right. Pull the trigger for acceleration and push the trigger for brake and reverse.



PARTS

Item No.	Item Description
503206	Hinge Pin Ball(POM)(4)
503115	Front Rear Hinge Pin Mount Set
503117	5x4mm Ball Stud (6)
503120	Hinge Pin Mont Nylon Ball Cap (4)
503125	Front Steering Block Set
503127	Steering Block 5x10mm Ball Stud (4)
503130	Front Lower Outer Hinge Pin (2)
503138	5x7mm Ball Stud (6)
503140	Long Ball Cup (6)
503141	Middle Shaft Mount
503144	Pulley O-Ring 7x2mm (10)
503145	Bumper Post Set
503152	Rear Hub Carrier (2)
503155	Ball Diff Pulley 35T
503156	Ball Diff Steel Ball 2.5mm (12)
503163	Spur Gear 110T
503169	Main Shaft Upper Mount Set
503180	Shock Spring Mount & Ball Cup (4)
503183	Shock Spring (2)
503191	New Shock Bladder (4)
503196	Lightweight Front Bulkhead Upper Mount
503197	Lightweight 17T Side Pulley
503202	Front Lightweight Ball Diff Outdrive Set
503203	New Ball Diff Plate (2)
503205	Rear Lightweight Ball Diff Outdrive Set
503210	Single Bell Crank Steering System
503212	New Wide Side Belt
503213	New Caster Block Ball Stud (4)
503214	Caster Block Lower Screw (4)
503215	Lightweight Caster Block Set (6 degree)
503218	Lightweight Rear Front Hinge Pin Mount
503222	Nylon 18T Center Pulley
503224	Lightweight Rear Bulkhead Upper Mount
503226	Special Servo Disc Ball Cup (2)
503236	Nylon 17T Center Pulley
503250	Shock Set (2)
503251	Front Nylon Shock Tower
503252	3.1x6.5x3mm Nylon Washer (6)
503253	Front Nylon Bulkhead Set
503254	Front Lower Arm Set
503255	Nylon Quick Release Battery Holder
503257	Upper Deck / Belt Tensioner Mount
503258	Belt Tensioner Set
503259	Front Lower Inner Hinge Pin (2)
503260	Lower Nylon Hinge Pin Mount 1.5 Degree
503263	Alum. Middle Shaft
503264	Ball Diff Screw & Spring Set
503265	Rear Lower Outer Hinge Pin (2)
503267	Motor Mount
503268	Rear Nylon Bulkhead Set
503269	Rear Lower Inner Hinge Pin (2)
503270	Nylon Main Shaft Left Mount
503271	Lower Nylon Hinge Pin Mount 2.5 Degree
503272	Alum. 7075 Main Shaft
503273	Spur Gear Holder
503274	Rear Nylon Shock Tower
503275	Servo Mount
503276	Front Chassis

Item No.	Item Description
503277	Main Chassis
503278	Rear Chassis
503279	Rear Hub Carrier Nylon Wahser (4)
503280	3.1x6.5x5mm Nylon Washer (6)
503281	Nylon Front Upper Linkage (2)
503282	Nylon Steering Linkage (2)
503283	Nylon Rear Upper Linkage (2)
503250-1	Shock Cap Set (2)
503250-2	Shock Shaft & Piston Set (2)
503250-3	Shock Body Set (2)
503250-4	Shock Body Hardware Set (2)
503301	Drift Car Nylon Accessories
503302S	Drift Car Mounted Tire (5 Spoke, Silver)(4 pcs)
503303	Alum. Front/Rear CVA Shaft (2)
503304	Front Belt
503305	33T Pinion Gear
503306	Bumper Set (F/R)
503307	Front Body Post Set
503308	Battery Holder Screw (2)
503310	Rear Belt
503311	Rear Lower Arm Set
503312	Foam Bumper
503313	Servo Arm (Futaba) (2)
111007ST	3mm Steel Locknut (10)
111120	R6 R-clip (10)
111160	4mm Special Wheel Lock Nut (4)
115024	4mm Short Thread Ball Stud & Ball Cup (for 3mm rod) (5)
116206	2x10mm Pin (10)
116219	3x6.5x2mm Alum. Washer (6)
116222	3M Double Side Tape 3x13cm
126306	3x6mm Steel FH Screw (6)
126308	3x8mm Steel F.H. Screw (6)
126310	3x10mm Steel F.H. Screw (6)
130102	8.1x12x0.2mm Shim (10)
130115	3x8x1mm Alum. Washer (10)
150508	5x8x2.5mm Bearing (2)
150612	6x12x4mm Bearing (4)
150814	8x14x4mm Bearing (2)
151015	10x15x4mm Bearing (4)
151218	12x18x4mm Bearing (4)
126303S	3x3mm Set Screw (6)
126306BU	3x6mm Steel Button Head Screw (6)
126306S	3x6mm Set Screw (6)
126308BU	3x8mm Steel Button Head Screw (6)
126308C	3x8mm Steel Cap Screw (6)
126310BU	3x10mm Steel Button Head Screw (6)
126314BU	3x14mm Button Head Screw (6)
126318c	3x18mm Steel Cap Screw (6)
126403S	4x3mm Set Screw
150308TF	3x8mm Thrust Bearing Flat (1)
H6802	HR132JE 2 Channel AM Receiver 27MHz w/o Crystal
H6803	H.A.R.D. HS3003 Throttle Servo
H6804	H.A.R.D. JR Dual Mode ESC (w/reverse)
H6805	H.A.R.D. X3 Motor
K1005	Special 3mm Servo Holding Screw (5)
K6301	Black Grease (for thrust bearing as well, 4g)
K6302	Ball Diff Lube (4g)