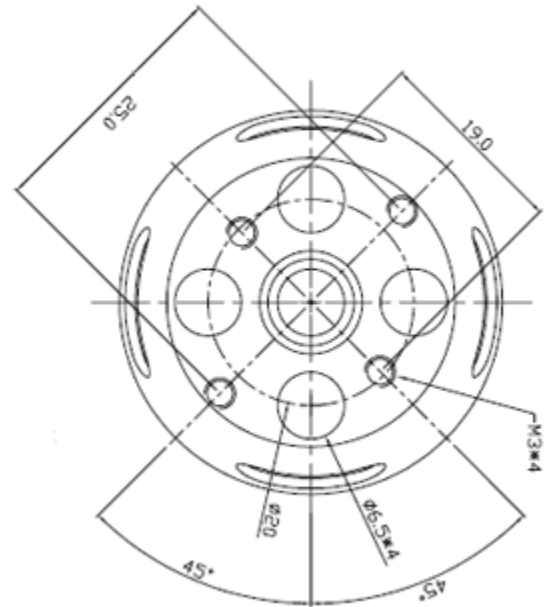


Hyperion Z-3007-series data

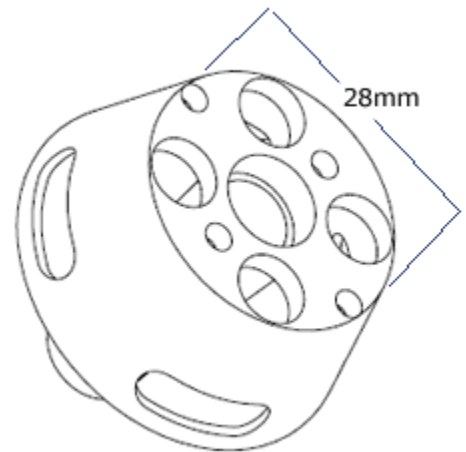
published June 14 2005

A DC Power supply is used for testing. You can approximate the voltage a battery pack will produce using this chart for cell counts. The chart assumes that the battery is being used near rated current limit. Using a pack with higher capacity cells may result in higher voltage, rpm, and current draw. Be sure that your battery is rated for the current indicated by the charts for a particular prop, and always confirm actual current levels with an Emeter or other ammeter before flight.

Appearance in the data does not mean the prop and voltage combination is necessarily recommended; see rated max efficient and maximum current specs above. The "Amps" figures marked in red in the tables indicate short-time (30 seconds or less) max current for glider applications, or E3D.



| PS V | Li-Po | NiMH |
|-------|-------|------|
| 6.7V | 2S | 6N |
| 7.7V | na | 7N |
| 8.8V | na | 8N |
| 9.9V | na | 9N |
| 10.1V | 3S | na |
| 11V | na | 10N |



HP-Z3007-26 Prop Data

| Prop | Volts | Amps | RPM | Watts |
|-------------|----------|------|-------|-------|
| APC7x5 E | 6.7 | 5.9 | 7575 | 40 |
| | 7.7 | 7.3 | 8595 | 56 |
| | 8.8 | 8.1 | 9240 | 71 |
| | 9.9 | 9.5 | 10200 | 94 |
| | 10.1 | 9.7 | 10350 | 98 |
| | 11.0 | 12.9 | 11820 | 142 |
| | 12.1 | 13.3 | 11880 | 161 |
| | 13.2 | 17.7 | 12810 | 234 |
| | 13.4 | 18.0 | 13830 | 241 |
| | 14.3 | 18.2 | 14130 | 260 |
| | 15.4 | 23.3 | 15180 | 359 |
| APC8x4 E | 6.7 | 7.8 | 7365 | 52 |
| | 7.7 | 8.5 | 7905 | 65 |
| | 8.8 | 11.8 | 9330 | 104 |
| | 9.9 | 13.0 | 9840 | 129 |
| | 10.1 | 15.0 | 10380 | 152 |
| | 11.0 | 17.3 | 11160 | 190 |
| | 12.1 | 19.9 | 11970 | 241 |
| | 13.2 | 22.1 | 12330 | 292 |
| | 13.4 | 23.4 | 12780 | 314 |
| | 14.3 | 26.3 | 13440 | 376 |
| APC8X6 E | 6.7 | 10.5 | 6900 | 70 |
| | 7.7 | 13.1 | 7800 | 101 |
| | 8.8 | 16.4 | 8640 | 144 |
| | 9.9 | 17.5 | 9120 | 173 |
| | 10.1 | 20.6 | 9600 | 208 |
| | 11.0 | 23.5 | 10110 | 259 |
| | APC9x6 E | 6.7 | 12.1 | 6720 |
| 7.7 | | 13.9 | 7395 | 107 |
| 8.8 | | 18.3 | 8370 | 161 |
| 9.9 | | 21.8 | 9120 | 216 |
| 10.1 | | 22.5 | 9270 | 227 |
| 11.0 | | 25.7 | 9900 | 283 |
| APC10x5 E | 6.7 | 13.1 | 6585 | 88 |
| | 7.7 | 13.7 | 6915 | 105 |
| | 8.8 | 18.8 | 7950 | 165 |
| | 9.9 | 24.0 | 8865 | 238 |
| | 10.1 | 24.3 | 8895 | 245 |
| APC11x5.5 E | 6.7 | 16.7 | 6255 | 112 |
| APC12x6 E | 6.7 | 20.5 | 5700 | 137 |

HP- Z3007- 30 Prop Data

| Prop | Volts | Amps | RPM | Watts |
|-------------|-------------|------|------|-------|
| APC8X6 E | 6.7 | 7.2 | 6120 | 48 |
| | 7.7 | 9.0 | 6915 | 69 |
| | 8.8 | 11.1 | 7725 | 98 |
| | 9.9 | 13.6 | 8535 | 135 |
| | 10.1 | 14.2 | 8655 | 143 |
| | 11.0 | 16.7 | 9270 | 184 |
| APC9x6 E | 6.7 | 8.5 | 6030 | 57 |
| | 7.7 | 10.2 | 6735 | 79 |
| | 8.8 | 12.9 | 7590 | 114 |
| | 9.9 | 15.5 | 8175 | 153 |
| | 10.1 | 15.8 | 8295 | 160 |
| | 11.0 | 18.4 | 8925 | 202 |
| APC10x5 E | 6.7 | 8.9 | 5910 | 60 |
| | 7.7 | 11.3 | 6645 | 87 |
| | 8.8 | 12.6 | 7125 | 111 |
| | 9.9 | 13.7 | 7620 | 136 |
| | 10.1 | 15.1 | 7860 | 153 |
| | 11.0 | 20.0 | 8790 | 220 |
| APC11x5.5 E | 6.7 | 11.6 | 5670 | 78 |
| | 7.7 | 13.8 | 6135 | 106 |
| | 8.8 | 15.4 | 6660 | 136 |
| | 9.9 | 18.1 | 7215 | 179 |
| | 10.1 | 19.0 | 7365 | 192 |
| | 11.0 | 21.4 | 7680 | 235 |
| APC12x6 E | 6.7 | 14.4 | 5220 | 96 |
| | 7.7 | 17.9 | 5790 | 138 |
| | 8.8 | 20.1 | 6255 | 177 |
| | 9.9 | 21.4 | 6465 | 212 |
| | 10.1 | 24.1 | 6600 | 243 |
| | APC13x6.5 E | 6.7 | 17.7 | 4830 |
| 7.7 | | 21.7 | 5265 | 167 |
| 8.8 | | 24.3 | 5670 | 214 |
| APC14x7 E | 6.7 | 20.6 | 4425 | 138 |
| | 7.7 | 25.3 | 4680 | 195 |