

# Instruction Manual

TOP  
PHOENIX MODEL

95% PRE-BUILT  
**ARF**  
ALMOST READY TO FLY



## **Tiger Moth** size 25-35cc



Wingspan : 2270mm (89.37 inches)



Length : 1870mm (73.62 inches)



Weight : 7400g - 7600g



Radio : 4 channel - 6 standard servo



Engine : 25cc-35cc

**KIT CONTENTS:** We have organized the parts as they come out of the box for better identification during assembly. We recommend that you regroup the parts in the same manner. This will ensure you have all of parts required before you begin assembly.

## KIT CONTENTS

### MAIN GEAR

- (2) Main gear
- (2) 100mm Wheel
- (4) 8mm collar
- (1) Aluminum clasp
- (4) 4mm x 20mm machine screw
- (4) 4mm flat washer
- (4) 8mm flat washer
- (6) 3mm x 12mm wood screw
- (4) 3mm x 15mm machine screw
- (4) M3 nut
- (4) Door gear

### TAIL GEAR

- (1) Tail gear
- (1) 50mm Wheel
- (2) Spring
- (2) 3mm x 20mm machine screw
- (2) 3mm flat washer
- (2) 6mm flat washer
- (2) 3mm x 12mm wood screw

### ELEVATOR CONTROL SYSTEM

- (2) Set aluminum control horn
- (2) 3mm x 20mm machine screw
- (2) Clevis
- (2) Snap keeper
- (2) 1.7mm x 900mm metal pushrod

### RUDDER CONTROL SYSTEM

- (2) Set aluminum control horn
- (2) 3mm x 12mm screw
- (1) 3mm x 30mm machine screw
- (2) Aluminum ball
- (2) Nylon ball link
- (2) Metal Cable
- (2) M3 Clevis
- (4) Metal connector
- (4) Crimp

### AILERON CONTROL SYSTEM

- (2) Set aluminum control horn
- (2) 3mm x 30mm machine screw
- (4) 3mm x 12mm screw
- (2) 6mm flat washer
- (2) M3 Nut
- (4) Aluminum ball
- (4) Nylon ball link
- (8) 2mm x 10mm wood screw
- (2) 3mm x 80mm metal pushrod

### THROTTLE CONTROL SYSTEM

- (1) 1,3mm x 500mm metal rod
- (1) 3,5mm x 350mm plastic tube
- (1) Aluminum connector
- (1) M2 Clevis
- (1) Silicone tube
- (1) 1.7mm x 300mm metal pushrod

### FUEL TANK

- (1) Nylon fuel Tank
- (1) Metal clunk
- (1) Pre - assembled stopper w / 3 tube

### MISCELLANEOUS ITEMS

- (3) Aluminum dihedral
- (8) Wing screw
- (4) 4mm x 30mm nylon screw
- (4) 2.6mm x 10mm wood screw
- (4) Wing strut
- (2) Tail strut
- (8) 4mm x 20mm machine screw
- (3) 3mm x 30mm machine screw
- (11) 4mm flat washer
- (11) 8mm flat washer
- (6) 3mm x 12mm wood screw
- (8) 3mm x 15mm machine screw
- (8) 3mm x 10mm machine screw
- (12) Strap

## **TOOLS AND SUPPLIES NEEDED**

- Medium C/A glue
- 30 minute epoxy
- 6 minute epoxy
- Hand or electric drill
- Assorted drill bits
- Modeling knife
- Straight edge ruler
- 2 bender plier
- Wire cutters
- Masking tape
- Thread lock
- Paper towels
- Rubbing alcohol

## **SUGGESTION**

To avoid scratching your new airplane, do not unwrap the pieces until they are needed for assembly. Cover your workbench with an old towel or brown paper, both to protect the aircraft and to protect the table. Keep a couple of jars or bowls handy to hold the small parts after you open the bag.

## **NOTE:**

1. Please trial fit all the parts. Make sure you have the correct parts and that they fit and are aligned properly before gluing! This will assure proper assembly. The TIGER MOTH 25cc-35cc is hand made from natural materials, every plane is unique and minor adjustments may have to be made. However, you should find the fit superior and assembly simple.
2. The painted and plastic parts used in this kit are fuel proof. However, they are not tolerant of many harsh chemicals including the following: paint thinner, C/A glue accelerator, C/A glue debonder and acetone. Do not let these chemicals come in contact with the colors on the covering and the plastic parts.
3. **The TIGER MOTH 25cc-35cc will perform 3-D aerobatics easily if you use the largest engines recommended within the engine range. If you setup your airplane to do 3D maneuvers, you will need to be throttle conscious; that is, never apply full throttle on straight and level flying or in dives to prevent flutter.**

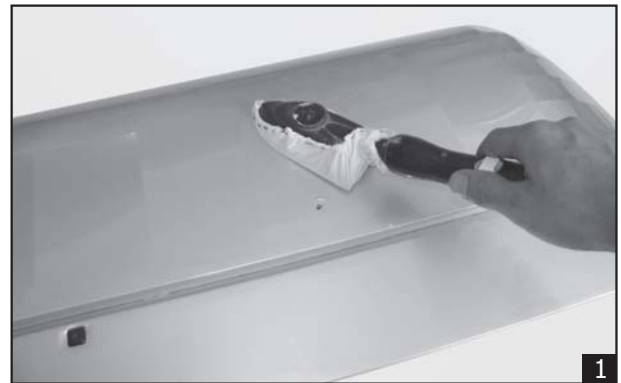
## **SAFETY PRECAUTION:**

- This is not a toy.
- Be sure that no other flyers are using your radio frequency.
- Do not smoke near fuel.
- Store fuel in a cool, dry place, away from children and pets.
- Wear safety glasses.
- The glow plug clip must be securely attached to the glow plug.
- Do not flip the propeller with your fingers.
- Keep loose clothing and wires away from the propeller.

- Do not start the engine if people are near. Do not stand in line with the side of the propeller.
- Make engine adjustments from behind the propeller only. Do not reach around the spinning propeller.

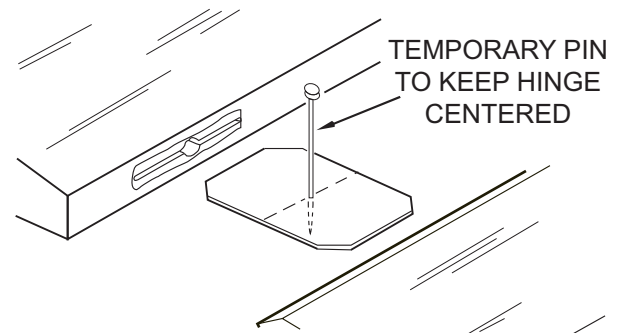
## **PREPARATIONS**

Remove the tape and separate the ailerons from the wing and the elevators from the stab. Use a covering iron with a covering sock on high heat to tighten the covering if necessary. Apply pressure over sheeted areas to thoroughly bond the covering to the wood.

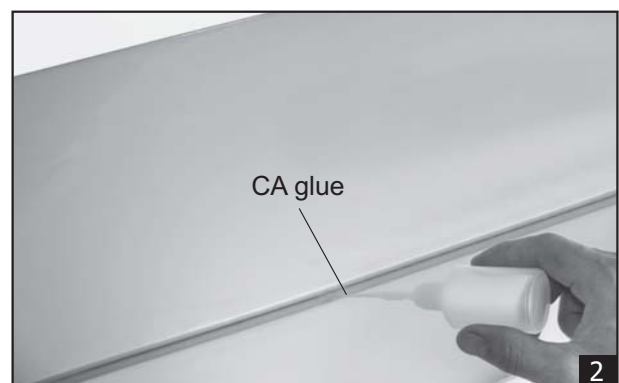


## **INSTALLING THE AILERONS**

1. Test fit the ailerons to the wing with the hinges. If the hinges don't remain centered, stick a pin through the middle of the hinge to hold it in position.



2. Apply six drops of thin CA to the top and bottom of each hinge. Do not use CA accelerator. After the CA has fully hardened, test the hinges by pulling on the aileron.

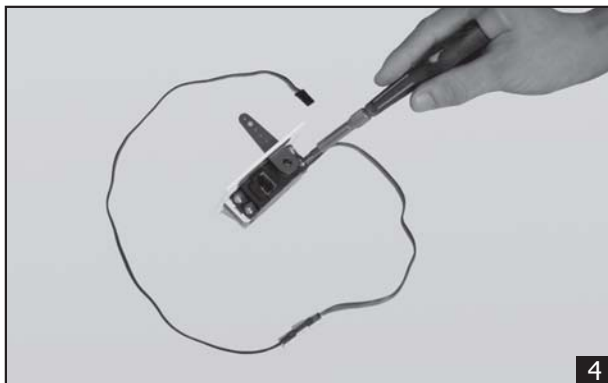


**INSTALLING THE AILERON SERVOS**

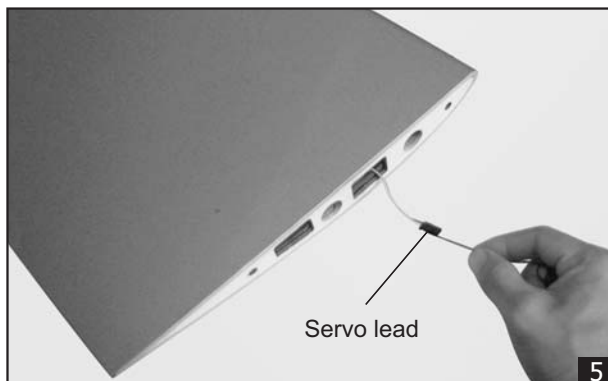
1. Install the rubber grommets and brass eyelets onto the aileron servo.
2. Using a modeling knife, remove the covering from over the pre-cut servo arm exit hole on the aileron servo tray / hatch. This hole will allow the servo arm to pass through when installing the aileron pushrods.



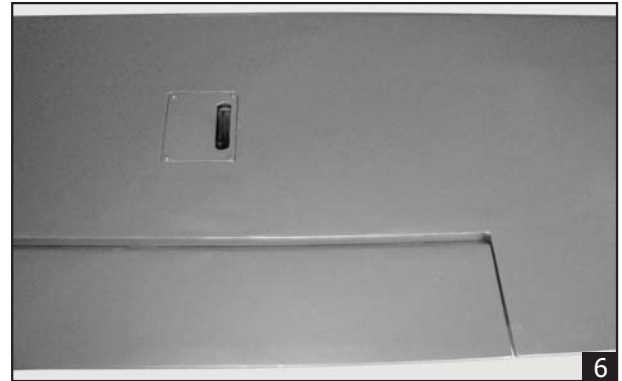
3. Place the servo into the servo tray. Center the servo within the tray and drill 1,6mm pilot holes through the block of wood for each of the four mounting screws provided with the servo.



4. Using the thread as a guide and using masking tape, tape the servo lead to the end of the thread: carefully pull the thread out. When you have pulled the servo lead out, remove the masking tape and the servo lead from the thread.



5. Place the aileron servo tray / hatch into the servo box on the bottom of the wing and drill 1,6mm pilot holes through the tray and the servo box for each of the four mounting screws. Secure the servo tray in place using the mounting screws provided ( 2mm x 12mm ).

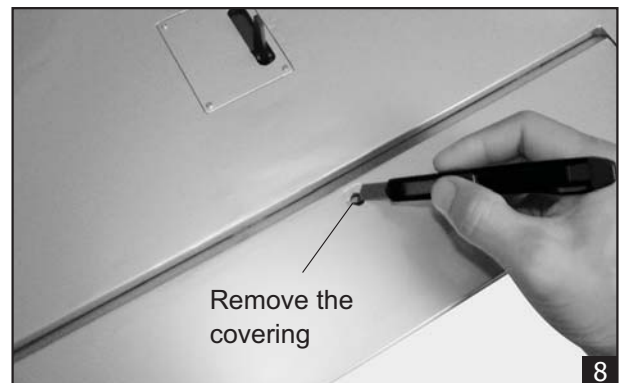


6. Repeat step # 2 - # 5 to install the second aileron servo in the opposite wing half.

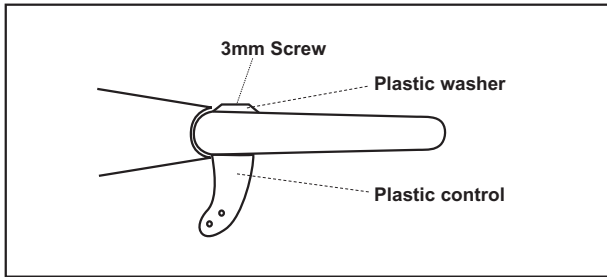


**INSTALLING THE CONTROL HORNS**

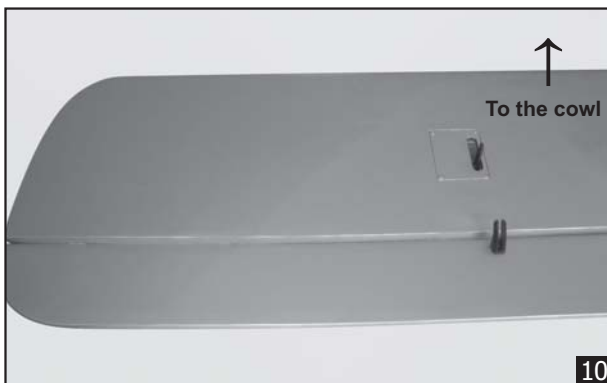
1. The aileron has a block wood plate for mounting the control horn. One aileron control horn is positioned on each aileron.



2. Secure the control horn into the aileron.

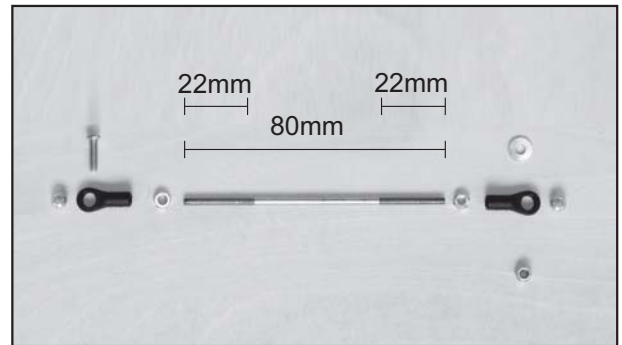


3. Repeat step # 1 - # 2 to install the second control horn on the aileron.

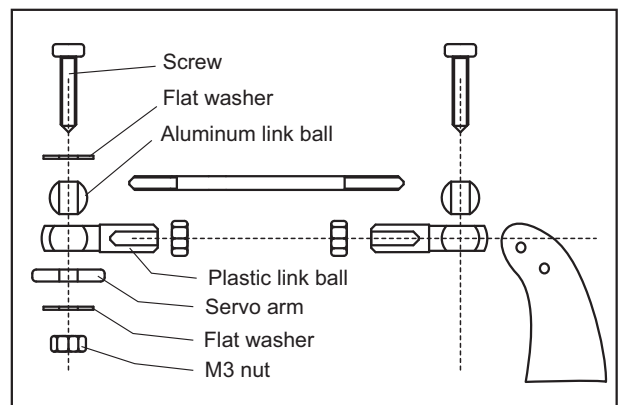
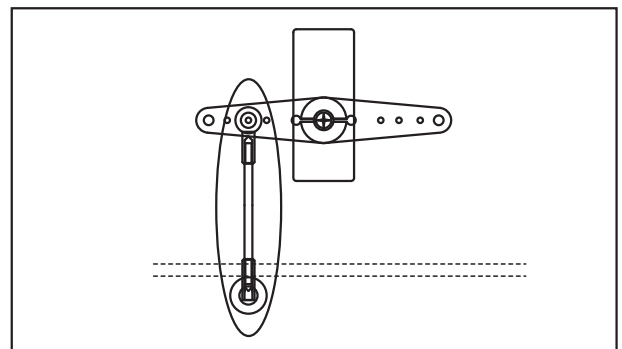
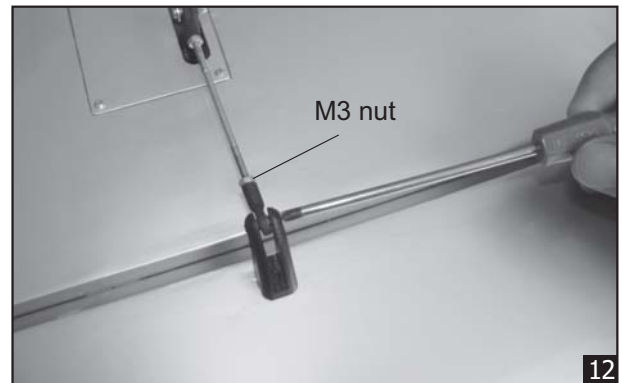


### INSTALLING THE AILERON LINKAGES

1. The aileron linkages are assembled as shown below.

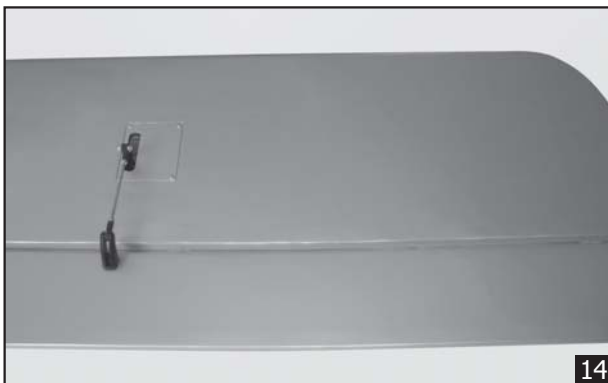
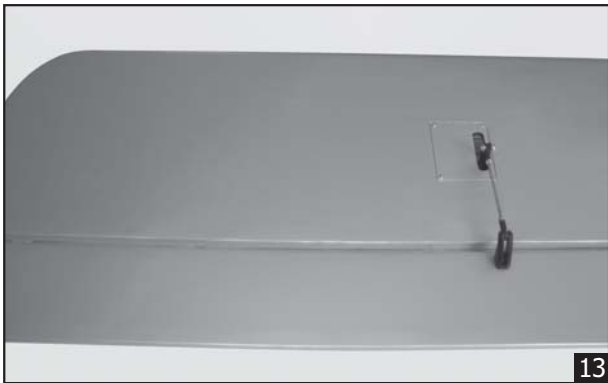


2. Install the link ball to the control horn.



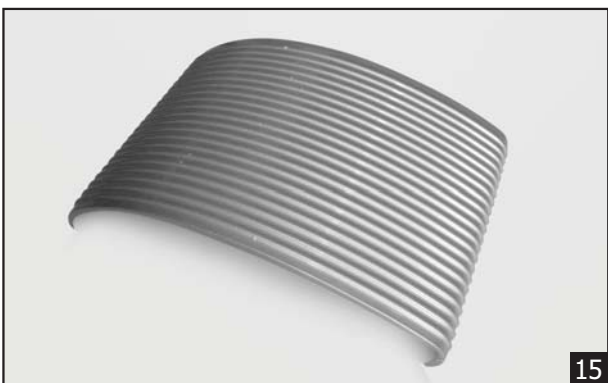


3. Repeat step 1 - step 3 for the second aileron linkage.

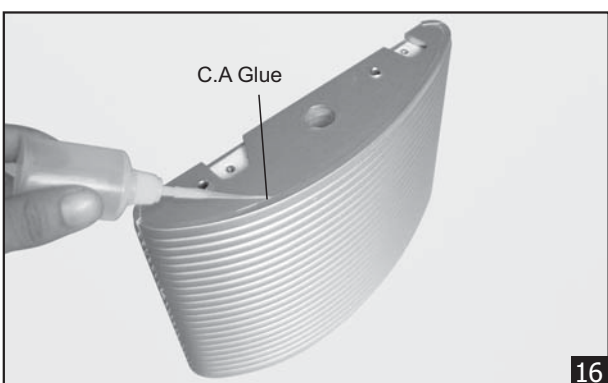


**INSTALLING THE UPPER WING**

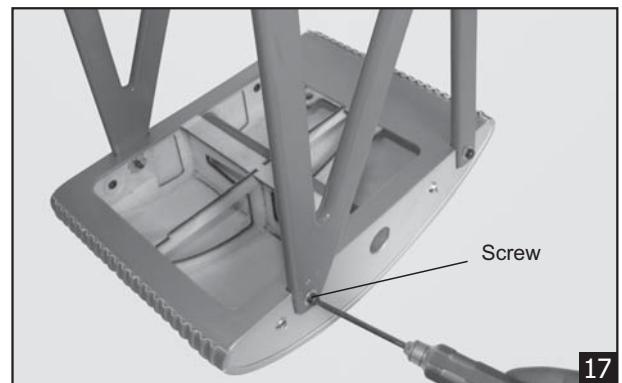
1. The plastic cover.



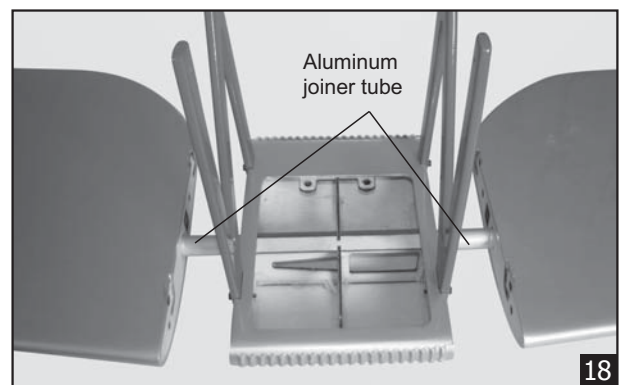
2. Glue the plastic cover.



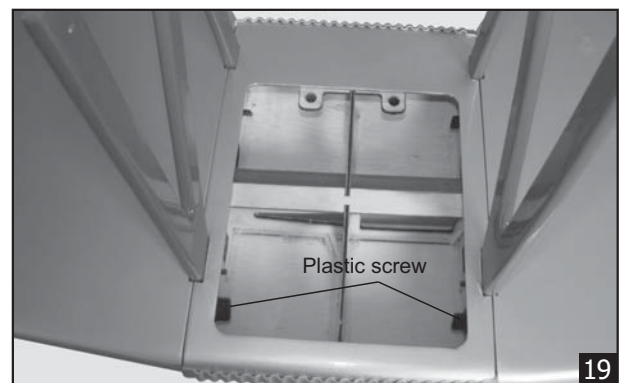
3. Secure the wing strut.



4. Joining the wing.



5. Secure the wing using the plastic screw.



6. Secure the plate.

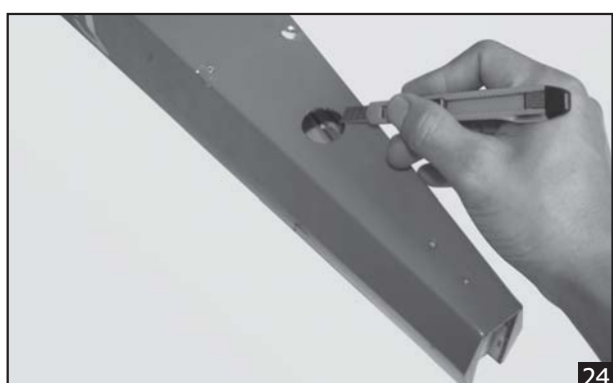
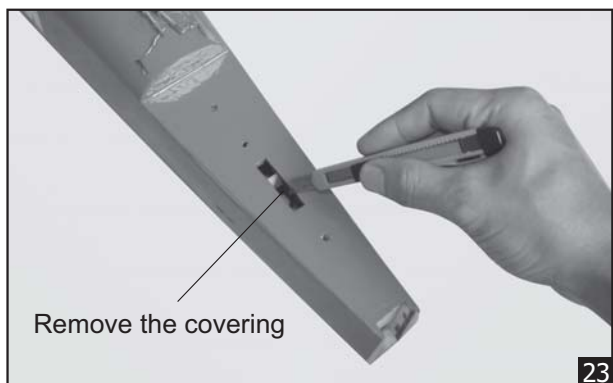
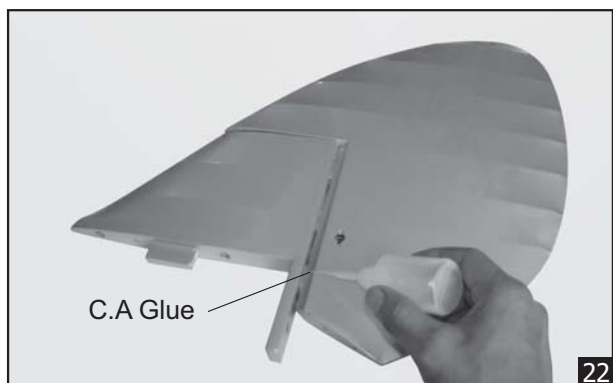


**INSTALLING THE HORIZONTAL AND VERTICAL STABILIZER**

1. Make the same way installing the aileron for installing the elevator.



2. Make the same way installing the aileron for installing the elevator.



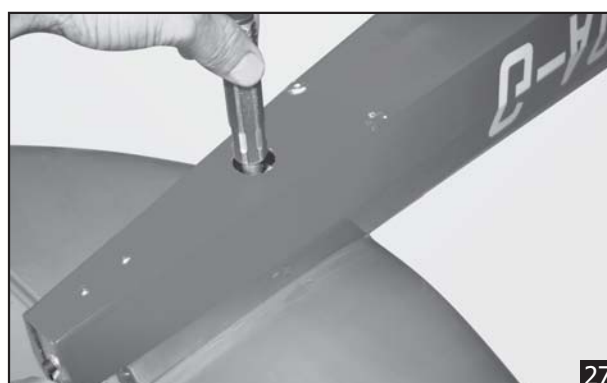
3. Secure the horizontal stabilizer to the fuselage using two metal hexagon screw.



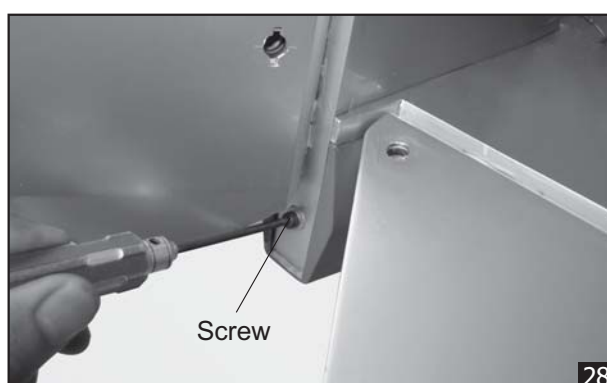
4. Remove the covering from the vertical and insert the vertical into the fuselage.



5. Secure the vertical from the bottom of the fuselage using the metal hexagon screw.



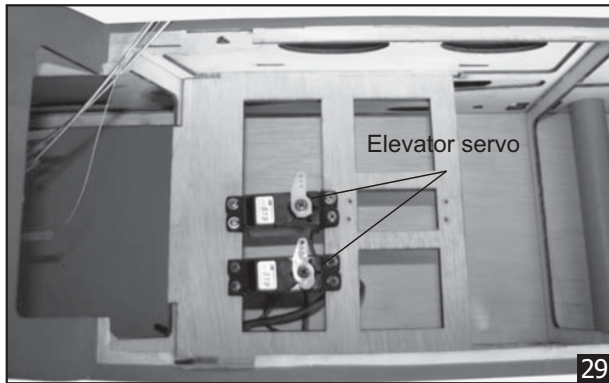
6. Secure the vertical into the fuselage.



## SERVO INSTALLATION

### INSTALLING THE FUSELAGE SERVOS

1. Install the rubber grommets and brass collets into the elevator, rudder and throttle servos. Test fit the servos into the servo tray. Trim the tray if necessary to fit your servos
2. Mount the servos to the tray using the mounting screws provided with your radio system.



### INSTALLING THE ELEVATOR PUSHROD

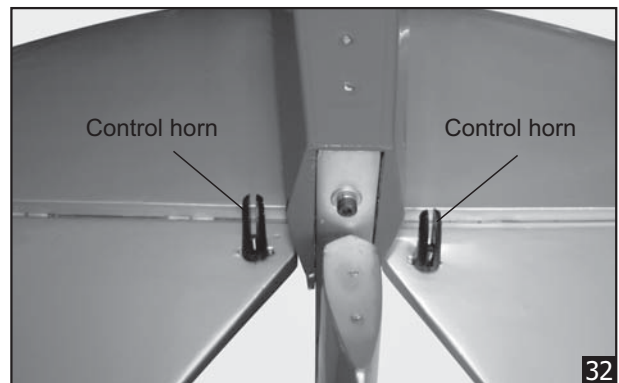
1. Locate the pushrod exit slot on the right side and left side of the fuselage. It is located slightly ahead and below the horizontal stabilizer.
2. Carefully cut away the covering material from the slot.
3. Working from inside the fuselage, slide the threaded end of the pushrod until it reaches the exit slot. Carefully reach in with a small screw driver and guide the pushrod out of the exit slot.



4. Install the plastic clevis on the elevator pushrod. Make sure 6mm of thread shows inside the clevis.



5. The control horn should be mounted on the bottom, left side and right side of the elevator at the leading edge, in line with the elevator pushrod.
6. Install the control horn to both side of two elevator.



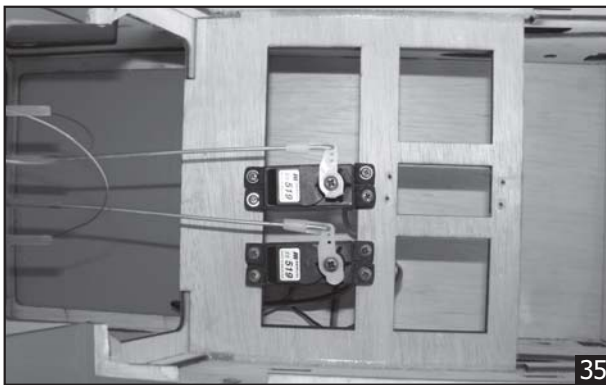
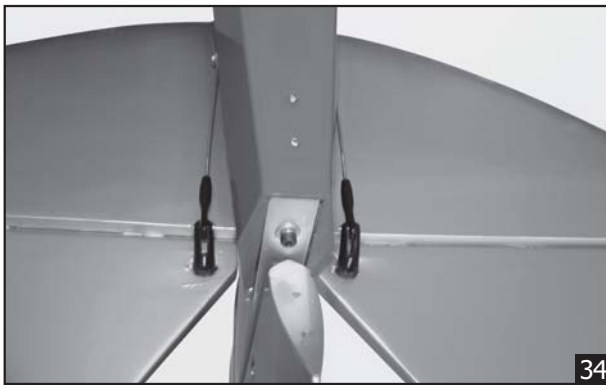
7. Attach the nylon clevis to the control horn.



8. Locate one nylon servo arm, and using wire cutters, remove all but one of the arms. Using a 2mm drill bit, enlarge the third hole out from the center to accommodate the elevator pushrod wire.
9. Plug the elevator servo into the receiver and center the servo. Install the servo arm onto the servo. The servo arm should be perpendicular to the servo and point toward the middle of the fuselage.

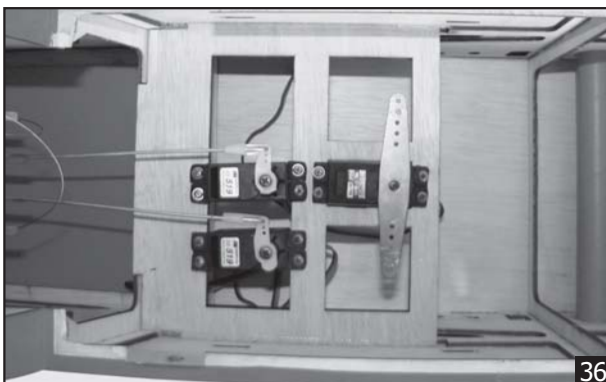


10. With the elevator halves and elevator servo centered, carefully place a mark on the elevator pushrod wire where it crosses the hole in the servo arm.
11. Using pliers, carefully make a 90 degree bend up at the mark made. Cut off the excess wire, leaving about 8mm beyond the bend.
12. Insert the 90 degree bend up through the hole in the servo arm, install one nylon snap keeper over the wire to secure it to the arm. Install the servo arm retaining screw and remove the masking tape the elevator halves.
13. Using thick CA glue, secure the pushrod sleeves to the pushrod sleeve guide.
14. Make the same way for the second elevator.



**INSTALLING THE RUDDER SERVO**

Install the rudder servo to the fuselage as shown.



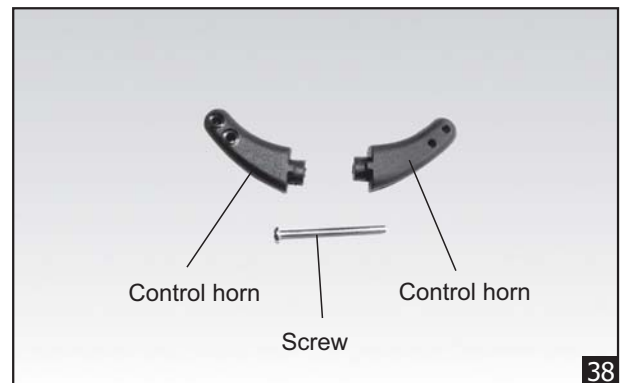
**INSTALLING THE RUDDER LINKAGES**

The rudder is controlled by two metal cables. Install the rudder linkages and cables as below.

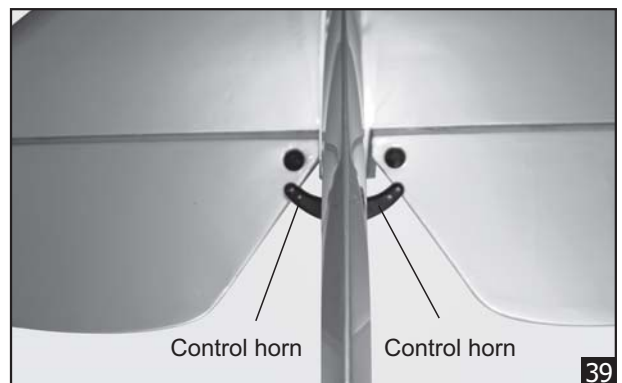
1. Use a hobby knife to remove the covering from the openings for the rudder control cables.



2. The rudder has a block wood plate for mounting the control horn. Two control horn in positioned on both side rudder (left and right).



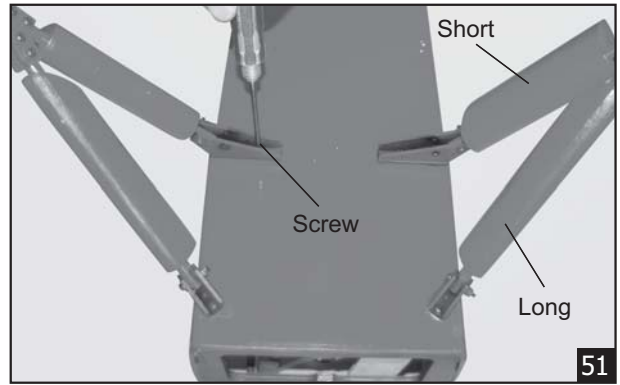
3. Install the control horn to the rudder.



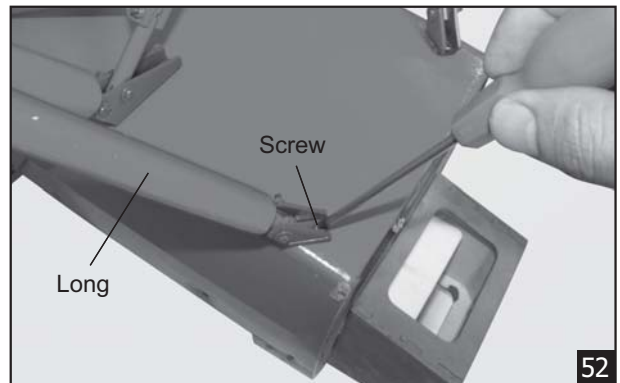
4. Slide a crimp onto the cable, then pass the cable through the threaded cable end. Pass the cable back into the crimp and use crimping pliers to secure the crimp to the cable. Guide the cable into the fuselage to the position for the rudder servo.



4. Secure the tail brace to the fuselage.

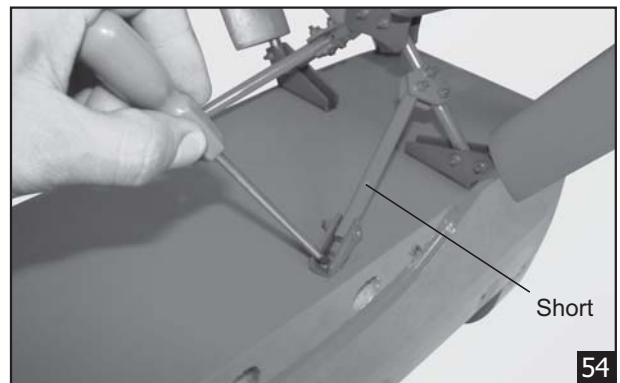
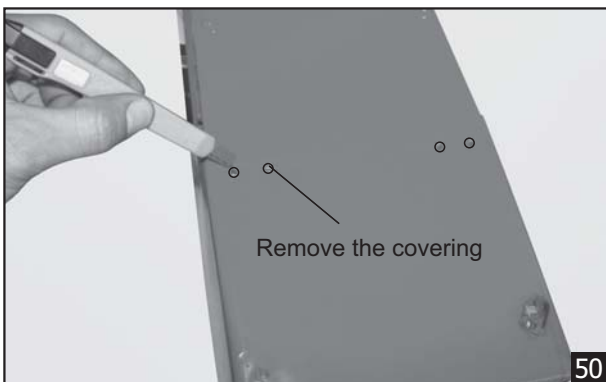
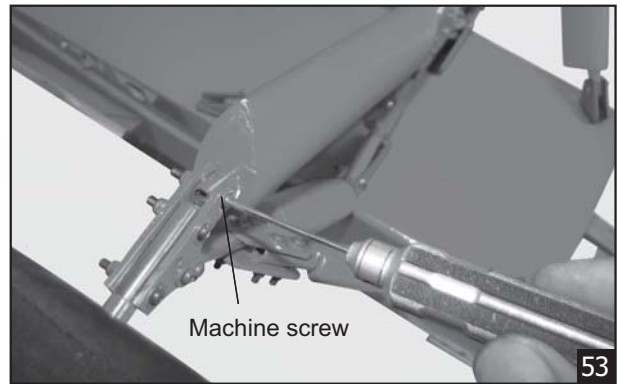
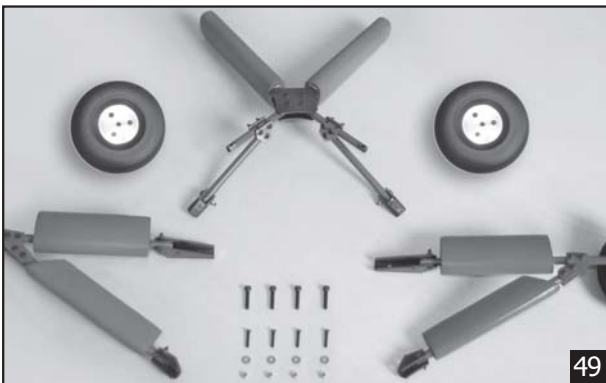


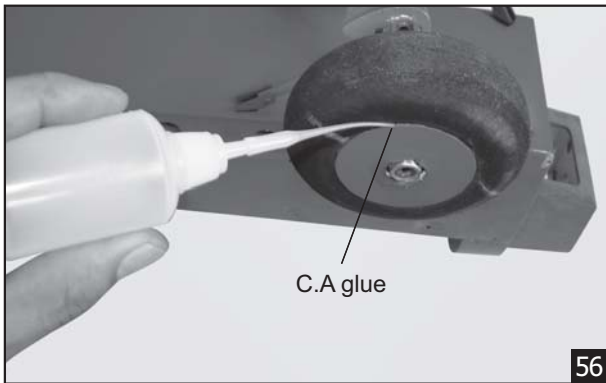
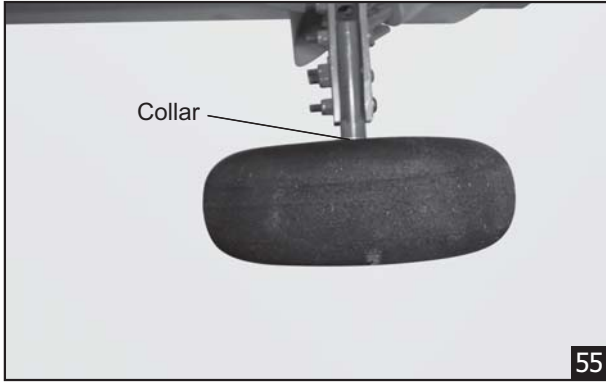
5. Connect the spring.



### **INSTALLING THE LANDING GEAR**

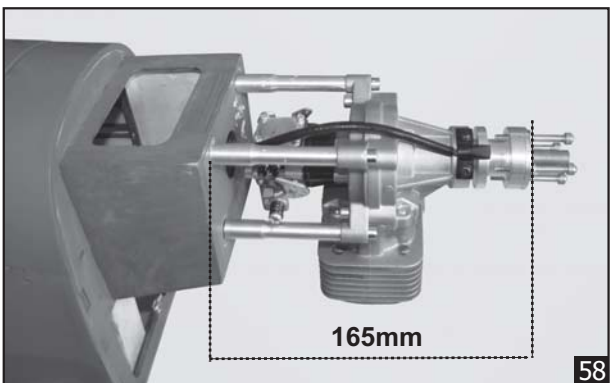
The tail wheel set.





**INSTALLING THE ENGINE**

*This manual, we used the GT 33 OS*

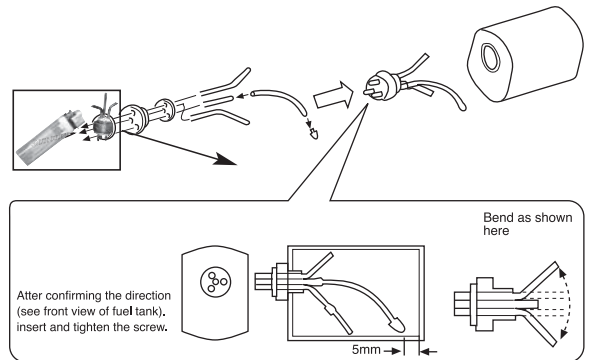


**INSTALLING THE STOPPER ASSEMBLY**

1. The stopper has been pre-assembled at the factory.
2. Using a modeling knife, cut one length of silicon fuel line (the length of silicon fuel line is calculated by how the weighted clunk should rest about 8mm away from the rear of the tank and move freely inside the tank). Connect one end of the line to the weighted clunk and the other end to the nylon pickup tube in the stopper.
3. Carefully bend the second nylon tube up at a 45 degree angle (using a cigarette lighter). This tube will be the vent tube to the muffler.
4. Carefully bend the third nylon tube down at a 45 degree angle (using a cigarette lighter). This tube will be vent tube to the fueling valve



*When the stopper assembly is installed in the tank, the top of the vent tube should rest just below the top surface of the tank. It should not touch the top of the tank.*

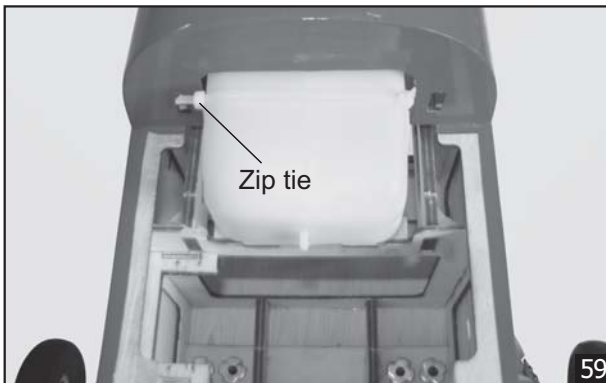


5. Test fit the stopper assembly into the tank. It may be necessary to remove some of the flashing around the tank opening using a modeling knife. If flashing is present, make sure none of it falls into the tank.
6. When satisfied with the alignment of the stopper assembly tighten the 3mm x 20mm machine screw until the rubber stopper expands and seals the tank opening. Do not over tighten the assembly as this could cause the tank to split.
7. Using a modeling knife, cut 3 lengths of fuel line 150mm long. Connect 2 lines to the 2 vent tubes and 1 line to the fuel pickup tube in the stopper.
8. Feed three lines through the fuel tank compartment and through the pre-drilled hole in the firewall. Pull the lines out from behind the engine, while guiding the fuel tank into place. Push the fuel tank as far forward as possible, the front of the tank should just about touch the back of the firewall. Blow through one of the lines to ensure the fuel lines have not become kinked inside the fuel tank compartment. Air should flow through easily.



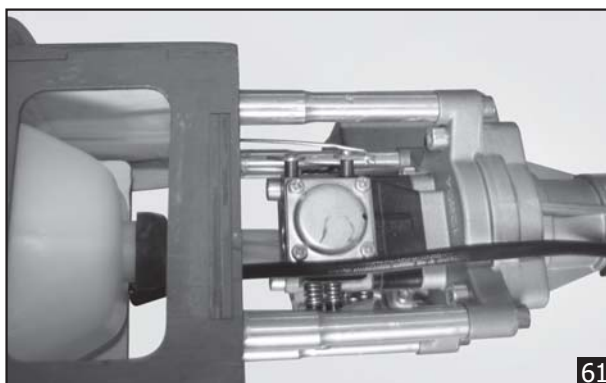
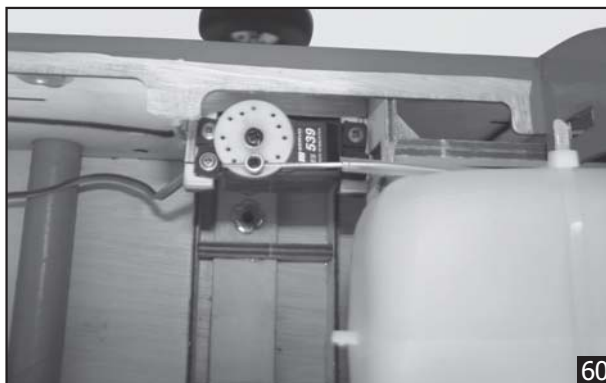
**!** Do not secure the tank into place permanently until after balancing the airplane. You may need to remove the tank to mount the battery in the fuel tank compartment.

- To secure the fuel tank in place, apply a bead of silicon sealer to the forward area of the tank, where it exits the fuselage behind the engine mounting box and to the rear of the tank at the forward bulkhead.



**INSTALLING THE THROTTLE SERVO**

- Install the rubber grommets and brass collets into the elevator, rudder and throttle servos. Test fit the servos into the servo tray. Trim the tray if necessary to fit your servos
- Mount the servos to the tray using the mounting screws provided with your radio system.

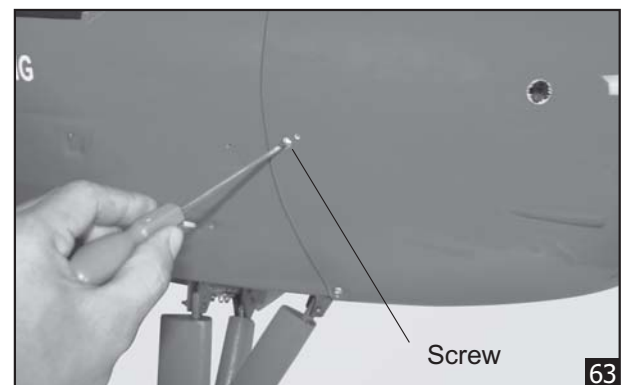


**MOUNTING THE COWL**

- Measure and mark the locations to be cut out for engine head clearance, needle valve, muffler. Remove the cowl and make these cut outs using a rotary tool with a cutting disc and a rotary sanding drum attachment.
- Slide the cowl back into place. Align the front of the cowl with the crankshaft of the engine. The front of the cowl should be positioned so the crankshaft is in the middle of the precut opening. Hold the cowl firmly in place using several pieces of masking tape.
- While holding the cowl firmly in position, drill four 1,6mm pilot holes through both the cowl and the side edges of the firewall.
- Using a 3mm drill bit, enlarge the four holes in the cowling.

**!** Enlarging the holes through the cowl will prevent the fiberglass from splitting when the mounting screws are installed.

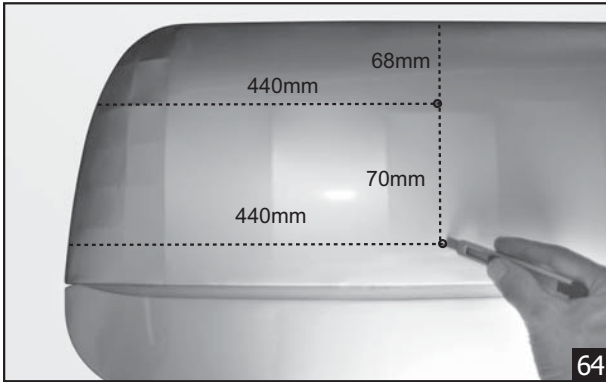
- Slide the cowl back over the engine and secure it in place using four 3mm x 12mm wood screws.





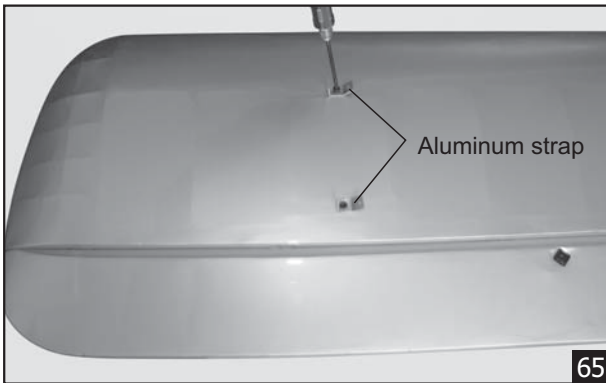
**INSTALLING THE WING**

1. Remove the covering from the lower wing.



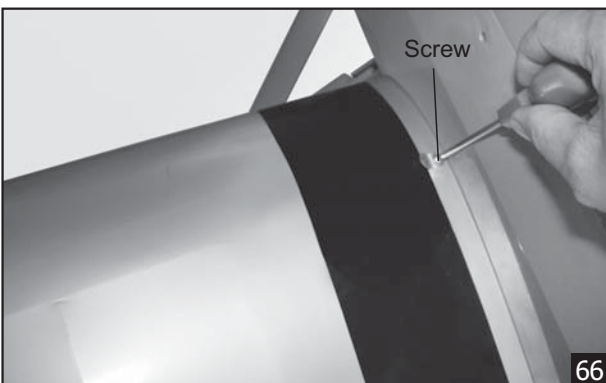
64

2. Install two aluminum plate to the lower wing.



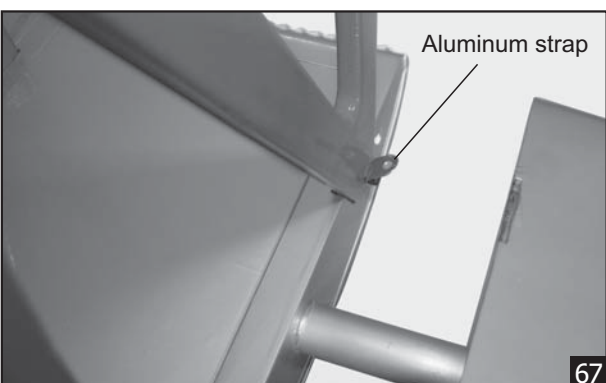
65

3. Install the metal strap to the lower wing as picture below.



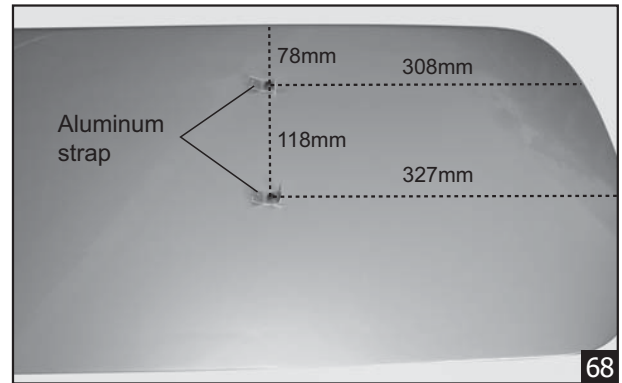
66

4. Install four metal strap into the upper wing as picture below.



67

5. Install two metal strap to the upper wing as picture below.



68

6. Install the wing strut as picture below.

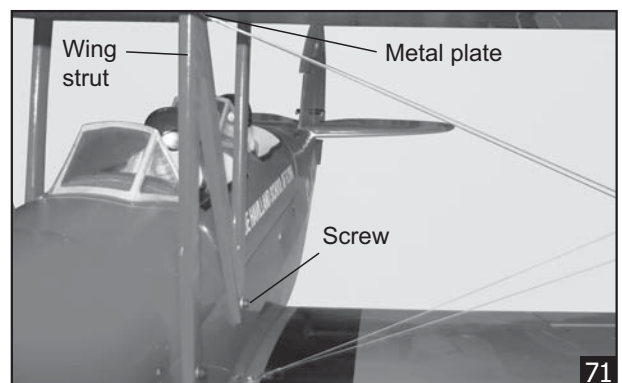


69

7. Install the wing strut.

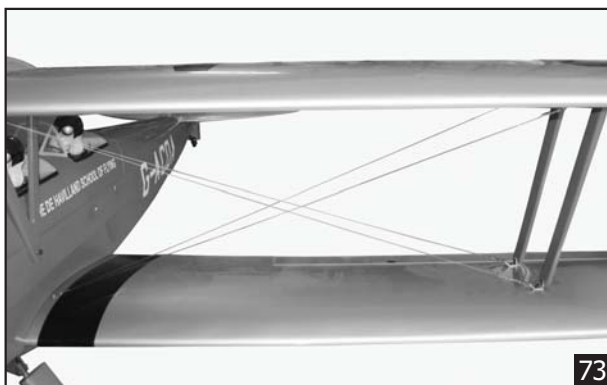
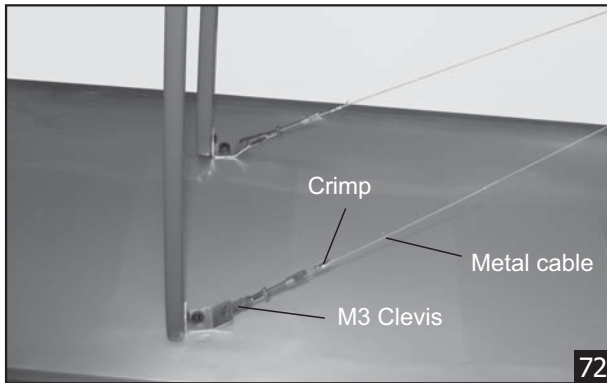


70

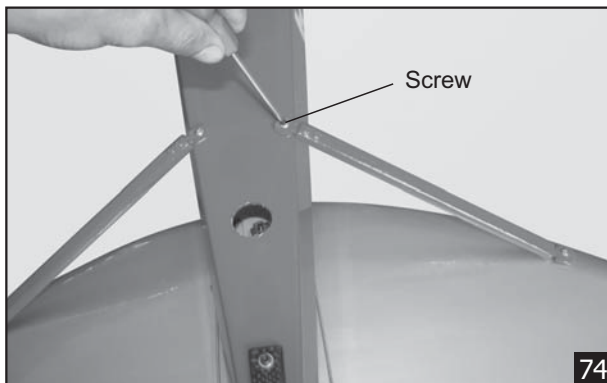


71

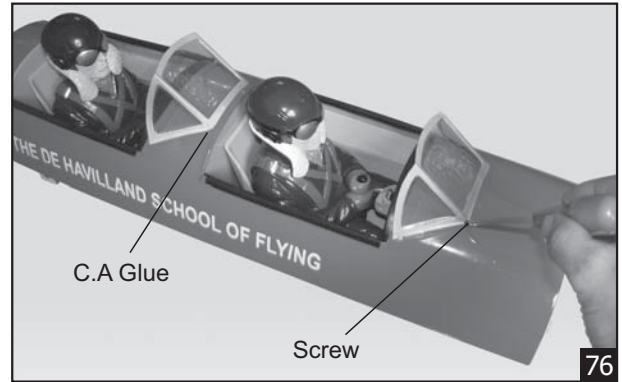
8. Install the cable.



9. Install the elevator strut.



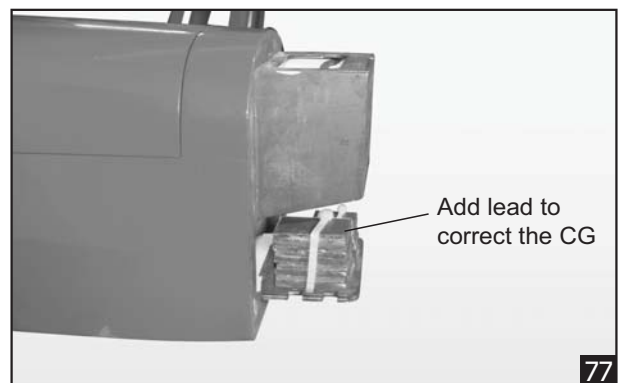
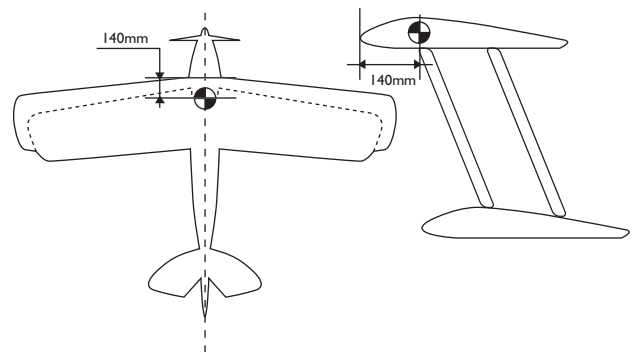
**INSTALLING THE CANOPY**



**BALANCING**

It is critical that your airplane be balanced correctly. Improper balance will cause your plane to lose control and crash.

THE CENTER OF GRAVITY IS LOCATED 140mm BACK FROM THE LEADING EDGE OF THE UPPER WING, AT THE FUSELAGE.



**LATERAL BALANCE**

**!** After you have balanced a plane on the C.G. You should laterally balance it. Doing this will help the airplane track straighter.

1. Turn the airplane upside down. Attach one loop of heavy string to the engine crankshaft and one to the tail wheel wire. With the wings level, carefully lift the airplane by the string. This may require two people to make it easier.

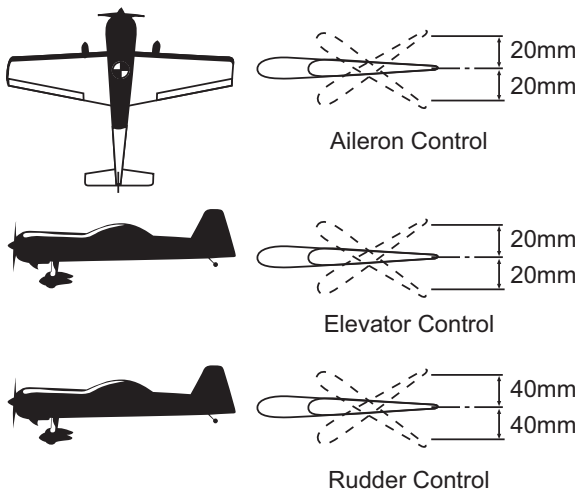
2. If one side of the wing fall, that side is heavier than the opposite. Add small amounts of lead weight to the bottom side of the lighter wing half's wing tip. Follow this procedure until the wing stays level when you lift the airplane.

**CONTROL THROWS**

1. We highly recommend setting up a plane using the control throws listed.
2. The control throws should be measured at the widest point of each control surface.
3. Check to be sure the control surfaces move in the correct directions.

**Low rate:**

Aileron	20mm up	20mm down
Elevator	20mm up	20mm down
Rudder	40mm right	40mm left



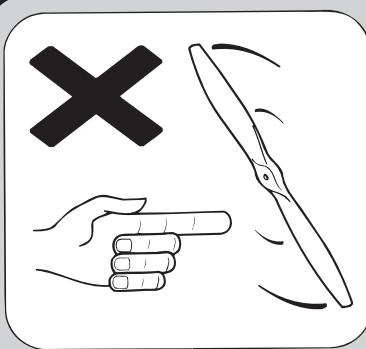
**FLIGHT PREPARATION PRE FLIGHT CHECK**

1. Completely charge your transmitter and receiver batteries before your first day of flying.
2. Check every bolt and every glue joint in your plane to ensure that everything is tight and well bonded.
3. Double check the balance of the airplane
4. Check the control surface
5. Check the receiver antenna . It should be fully extended and not coiled up inside the fuselage.
6. Properly balance the propeller.

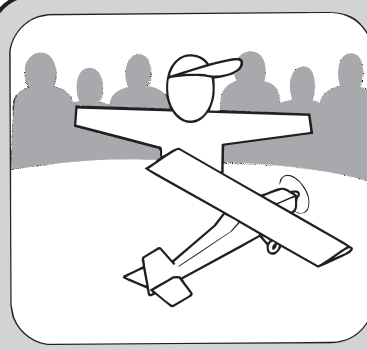
## I/C FLIGHT WARNINGS



Always operate in open areas, away from factories, hospitals, schools, buildings and houses etc. **NEVER** fly your aircraft close to people or built up areas.



**THE PROPELLER IS DANGEROUS**  
Keep fingers, clothing (ties, shirt sleeves, scarves) or any other loose objects that could be caught or drawn in, away from the propeller. Take care at **ALL** times.



Keep all onlookers (especially small children and animals) well back from the area of operation. This is a flying aircraft, which will cause serious injury in case of impact with a person or animal.



**NEVER** fly near power lines, aerials or other dangerous areas including airports, motorways etc.



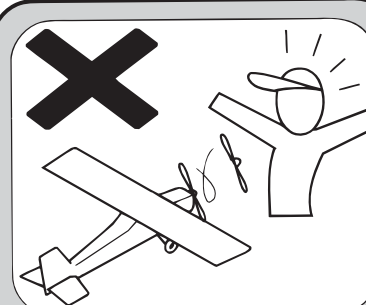
**NEVER** use damaged or deformed propellers or spinners.



**DO NOT** dispose of empty fuel containers on a fire, this can lead to an explosion.

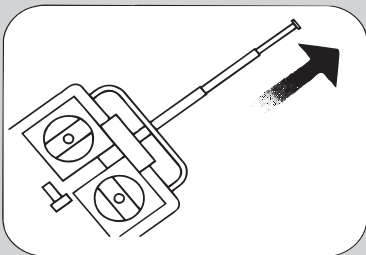


**NEVER** fly in wet conditions or on windy or stormy days.

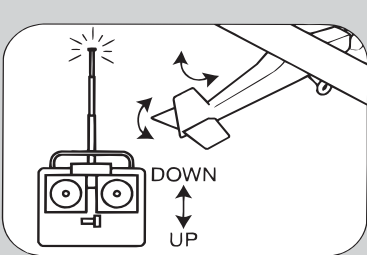


**ALWAYS** adjust the engine from behind the propeller, and do not allow any part of your body to be in line with the propeller.

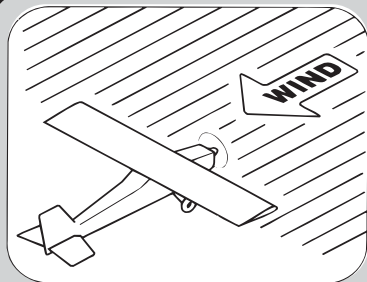
# I/C FLIGHT GUIDELINES



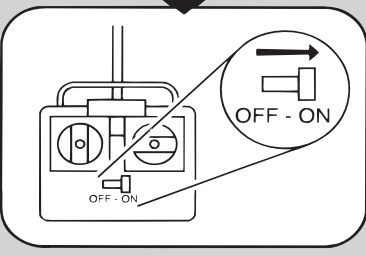
When ready to fly, first extend the transmitter aerial.



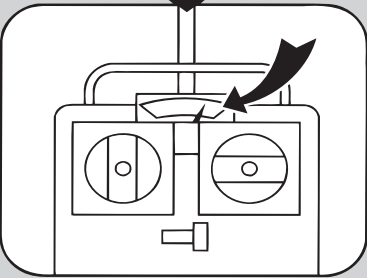
Operate the control sticks on the transmitter and check that the control surfaces move freely and in the **CORRECT** directions.



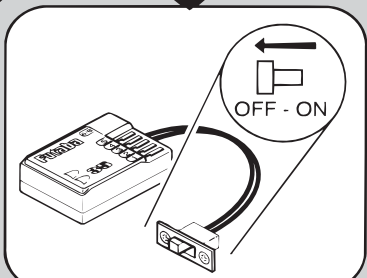
**ALWAYS** land the model **INTO** the wind, this ensures that the model lands at the slowest possible speed.



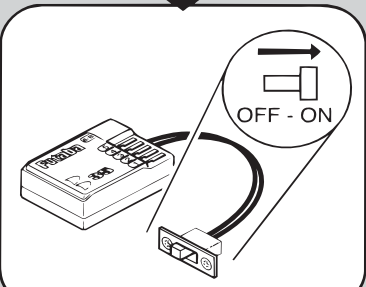
Switch on the transmitter.



Check that the transmitter batteries have adequate power.



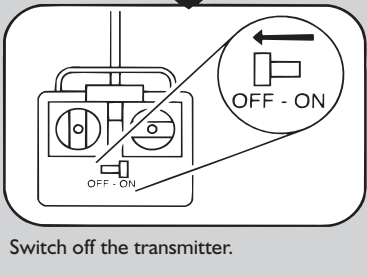
Switch off the receiver.



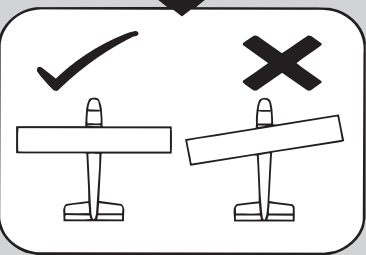
Switch on the receiver.



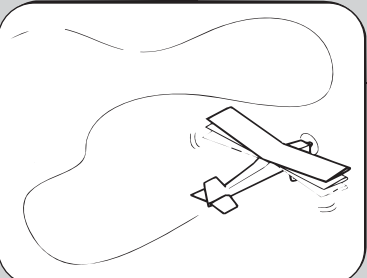
**ALWAYS** take off into the wind.



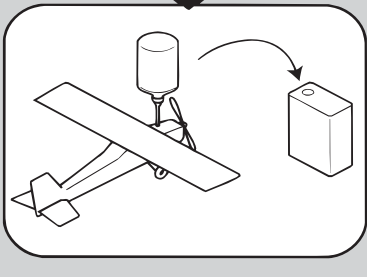
Switch off the transmitter.



Check that the wings are correctly fitted to the fuselage.



If the model does not respond correctly to the controls, land it as soon as possible and correct the fault.



Empty the fuel tank after flying, fuel left in the tank can cause corrosion and lead to engine problems.