

\* Type of screw

C...Cap Screw M...Oval Fillister-Head Screw

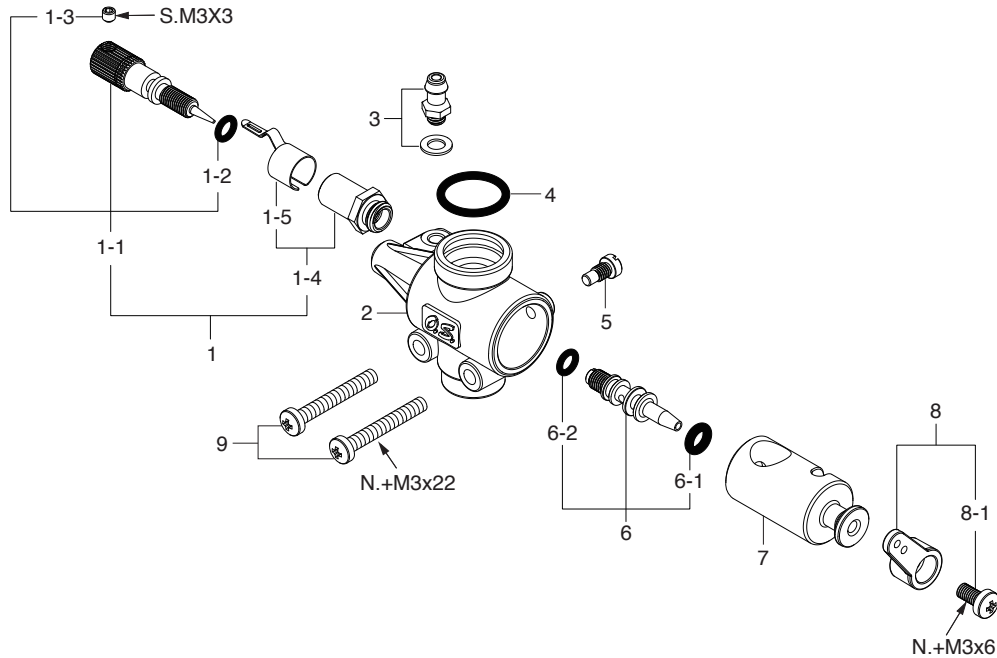
F...Flat Head Screw N...Round Head Screw S...Set Screw

### CAP SCREW SETS (10pcs./sets)

| Code No. | Size    | Pcs. used in an engine  |
|----------|---------|---|
| 79871020 | M2.6x7  | Cam Cover Retaining Screw (2pcs.) Intake Manifold Retaining Screw (2pcs.) |
| 79871030 | M2.6x10 | Rocker Cover Retaining Screw (4pcs.)                                      |
| 79871110 | M3x8    | Cover Plate Retaining Screw (4pcs.)                                       |
| 79871180 | M3x18   | Cylinder Head Retaining Screw (4pcs.)                                     |

| No. | Code No. | Description                     |
|-----|----------|---------------------------------|
| 1   | 47104200 | Rocker Cover (1pc.)             |
| 2   | 40964000 | Rocker Arm Shaft (1pc.)         |
| 3   | 44561200 | Tappet Adjusting Screw (1pair)  |
| 4   | 40961100 | Rocker Arm (1pc.)               |
| 5   | 46160400 | Valve Spring Retainer (2pcs.)   |
| 6   | 40960300 | Valve Spring Seat (1pc.)        |
| 7   | 45960210 | Valve Spring (1pc.)             |
| 8   | 40960100 | Valve (1pc.)                    |
| 9   | 40904100 | Cylinder Head (W/Gasket)        |
| 9-1 | 40914000 | Cylinder Head Gasket (1pc.)     |
| 10  | 40903400 | Piston Ring                     |
| 11  | 40903200 | Piston                          |
| 12  | 40906000 | Piston Pin                      |
| 13  | 40905000 | Connecting Rod                  |
| 14  | 40903100 | Cylinder Liner                  |
| 15  | 40969400 | Intake Manifold                 |
| 16  | 40981000 | Carburetor Complete (Type 60PA) |
| 17  | 40907000 | Cover Plate                     |
| 18  | 40902000 | Crankshaft                      |
| 19  | 45630000 | Crankshaft Ball Bearing (Rear)  |
| 20  | 40901000 | Crankcase                       |
| 21  | 45231100 | Camshaft Ball Bearing (1pc.)    |
| 22  | 45962000 | Camshaft                        |
| 23  | 40901100 | Cam Cover                       |
| 24  | 40904160 | Push Rod (2pcs.)                |
| 25  | 45566310 | Push Rod Cover "O" Ring (2pcs.) |
| 26  | 40966100 | Push Rod Cover (1pc.)           |
| 27  | 45564000 | Cam Follower (2pcs.)            |
| 28  | 40931000 | Crankshaft Ball Bearing (Front) |

| No.  | Code No. | Description                        |
|------|----------|------------------------------------|
| 29   | 46120000 | Thrust Washer                      |
| 30   | 40908000 | Drive Hub                          |
| 31   | 45910100 | Lock Nut Set                       |
| 32   | 40925000 | F-5050 Silencer Assembly           |
| 32-1 | 40925100 | Silencer Body                      |
| 32-2 | 40925400 | Assembly Screw                     |
| 32-3 | 44925310 | Silencer Gasket (1pc.)             |
| 32-4 | 40926000 | Exhaust Header Pipe Assembly       |
| 32-5 | 45626030 | Exhaust Header Pipe Nut M11 (1pc.) |
|      | 71615009 | Glow Plug Type F                   |



\*Type of screw

C...Cap Screw M...Oval Fillister-Head Screw  
F...Flat Head Screw N...Round Head Screw S...Set Screw

| No. | Code No. | Description                        |
|-----|----------|------------------------------------|
| 1   | 25581900 | Needle Valve Assembly              |
| 1-1 | 22681980 | Needle Assembly                    |
| 1-2 | 24981837 | "O" Ring (2pcs.)                   |
| 1-3 | 26381501 | Set Screw                          |
| 1-4 | 27381940 | Needle Valve Holder Assembly       |
| 1-5 | 26711305 | Ratchet Spring                     |
| 2   | 45984100 | Carburetor Body                    |
| 3   | 22681953 | Fuel Inlet (No.1)                  |
| 4   | 46115000 | Carburetor Rubber Gasket (1pc.)    |
| 5   | 45581820 | Rotor Guide Screw                  |
| 6   | 45582300 | Mixture Control Valve Assembly     |
| 6-1 | 46066319 | "O" Ring (L) (2pcs.)               |
| 6-2 | 24881824 | "O" Ring (S) (2pcs.)               |
| 7   | 40981200 | Carburetor Rotor                   |
| 8   | 22081408 | Throttle Lever Assembly            |
| 8-1 | 22081313 | Throttle Lever Retaining Screw     |
| 9   | 45581700 | Carburetor Retaining Screw (2pcs.) |

### O.S. GENUINE PARTS & ACCESSORIES

| Code No. | Description                                |
|----------|--|
| 71901200 | Radial Motor Mount                         |
| 45910200 | 5/16"-M4 Propeller Locknut Set For Spinner |
| 45910300 | 5/16"-M5 Propeller Locknut Set For Spinner |
| 72200200 | Booster Cable Set For Single Cylinder      |
| 72200130 | O.S. Booster Terminal Kit                  |
| 72109680 | M11 In-Cowl Header Pipe Side 60D           |
| 72109690 | M11 In-Cowl Header Pipe Inverted 80D       |
| 72200080 | Needle Valve Extension Cable Set           |
| 72403050 | Super Filter (L)                           |
| 71531000 | Non-Bubble Weight                          |
| 71531010 | Non-Bubble Weight (S)                      |
| 72200060 | Valve Adjusting Tool Kit                   |
| 71521000 | Long Socket Wrench With Plug Grip          |

Also, a 5.5mm wrench (not supplied) is required for this purpose.

- Wrench 5.5mm